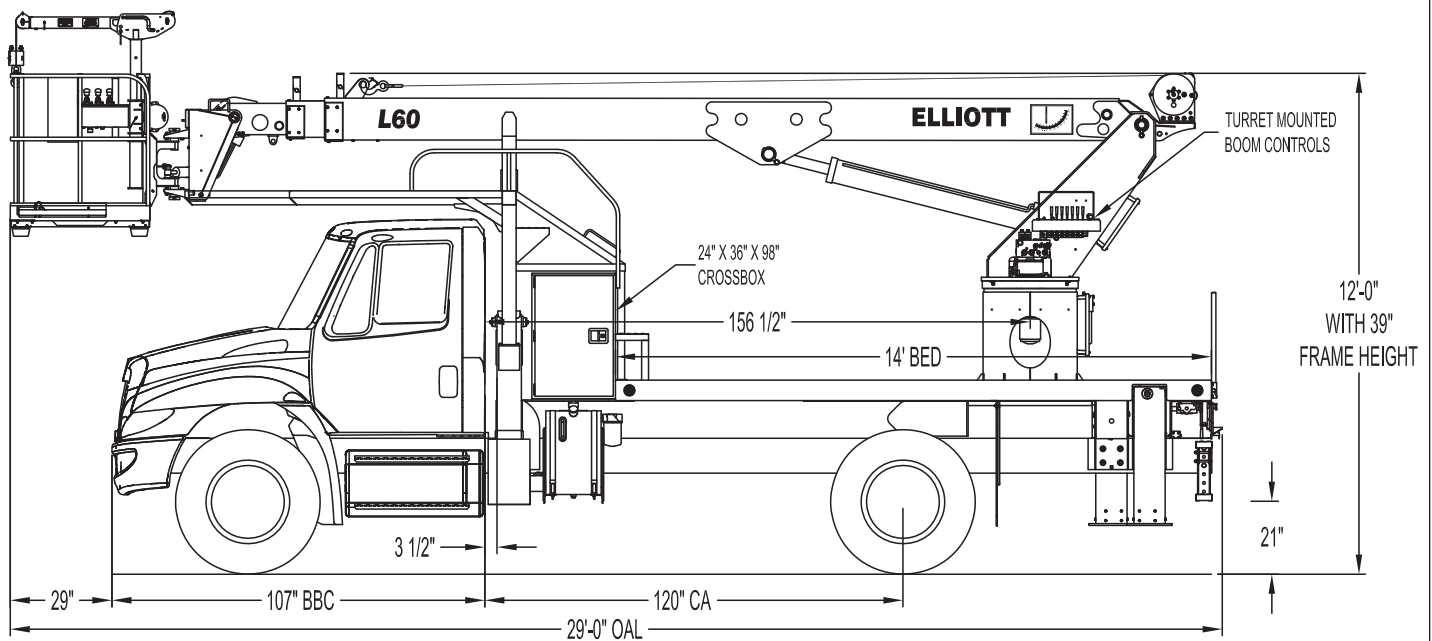


We stock late model Elliott L60R bucket trucks. Our trucks are single axle, automatic transmission and are under CDL. We sell and rent our trucks from our centrally located facility in Flanders, NJ.

L60R SIDE VIEW DIAGRAM



Dimensions approximate and vary with truck specifications.

G.V.W.R.-25,999 lbs. Front axle-10,000 lbs. Rear axle-19,000 lbs.

- | | | | |
|---------------------------------|-------------------------|------------------------------|------------------------|
| • Working Height | 63' / 19,2 m | • Powered Boom Sections | 3 |
| • Working Side Reach | 56' / 17,1 m | • Overall Height | 12'0" / 3,6 m |
| • Platform Capacity | 500 lbs / 227 kg | • Unit Weight (Bare) | 13,500 lbs / 6123 kg |
| • Platform Size | 40 x 60" / 102 x 152 cm | • Outrigger Spread Main | 18' / 5,5m |
| • Platform Type | EZR Removable | • Outrigger Spread Auxiliary | 12'6" / 3,8 m |
| • Lifting Capacity (Main Winch) | 5,900 lbs / 2676 kg | • Minimum Front Axle GAWR | 10,000 lbs / 4536 kg |
| • Jib Winch | 500 lbs / 227 kg | • Minimum Vehicle GVWR | 25,999 lbs / 11 793 kg |

TECHNICAL SPECIFICATIONS

Maximum Platform Height: 57' ground to platform floor.

Working Range: 63' max. working height and 56' max. side reach.

Work Platform: Updated 40"x60" EZR end-hung work platform with 40" high rails and aluminum floor. Equipped with two safety lanyard attachment loops and two safety harnesses with 72" lanyards. Platform capacity 500 lbs.

Platform Leveling System: Hydraulic "closed" system consisting of twin platform cylinders interacting with a boom-actuated master cylinder mounted in boom support turret. System provided with factory-set relief valves to compensate for oil expansion or overload during platform leveling operation. Remote leveling controls provided in platform and at ground controls to give precise leveling capability.

Platform Controls: Three individual proportional electronic controllers meter pilot-operated, pressure-compensated modulating valves. Remote controls for boom operations from platform operate from a steel remote control box. Hi/Lo range, start/stop and engine speed switches are also located at platform. Electric remote control cable extends through the electrical slip ring to cable carrier on side of boom to extending boom sections.

Lower Controls: Mounted on roadside of turret.

Outrigger Controls: Parallel open-center stack valve for lever-operated control of right and left outriggers. The outrigger valves are mounted at the rear, under each corner of the bed with roadside valve controlling roadside outriggers and curbside valve controlling curbside outriggers.

Outriggers: One set of "MH" type main outriggers at rear of bed with 18' spread. "A" overframe auxiliary outriggers with 12' spread behind cab.

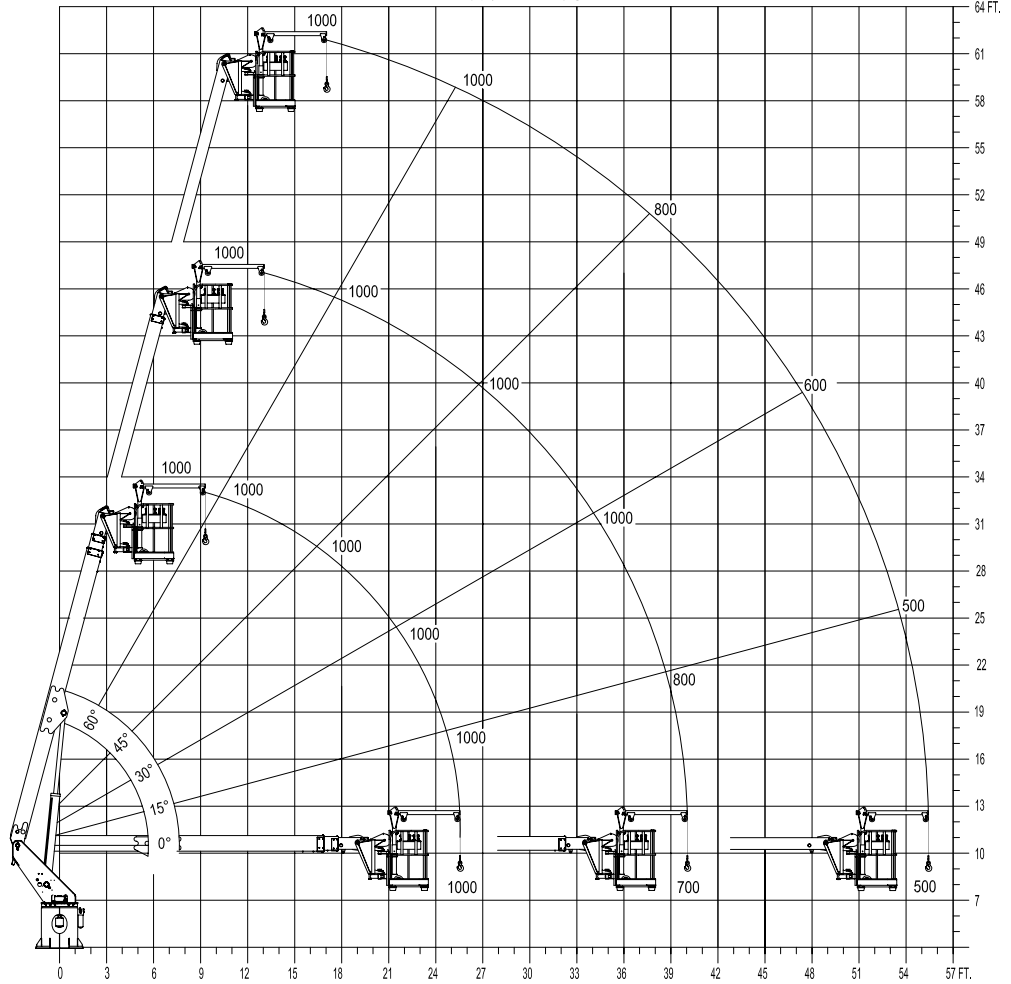
**MAXIMUM WORKING LOADS
500 LBS. PLATFORM JIB OPERATION**

MODEL L60

TOTAL PLATFORM CAPACITY (JIB LOAD PLUS PERSONNEL)

USE OUTRIGGERS AT ALL TIMES • AVOID JERKING LOAD

360° RADIUS



JIB 500 LBS. MAXIMUM • PERSONNEL 500 LBS. MAXIMUM

Available for Daily, Weekly and Monthly Rentals!



<p>S.P.A. SAFETY SYSTEMS LLC <small>TRAILER, CRANE & SCISSOR LIFT TRUCKS</small></p>		
<p>SPA Safety Systems LLC. 278 Old Ledgewood Rd Flanders, NJ 07836</p>	<p>Call: (973) 347-1101 Fax: (973) 347-0064</p>	<p>Hours of Operation Monday-Friday 7:30am to 4:30pm</p>
<p>www.spasafetysystems.com</p>		